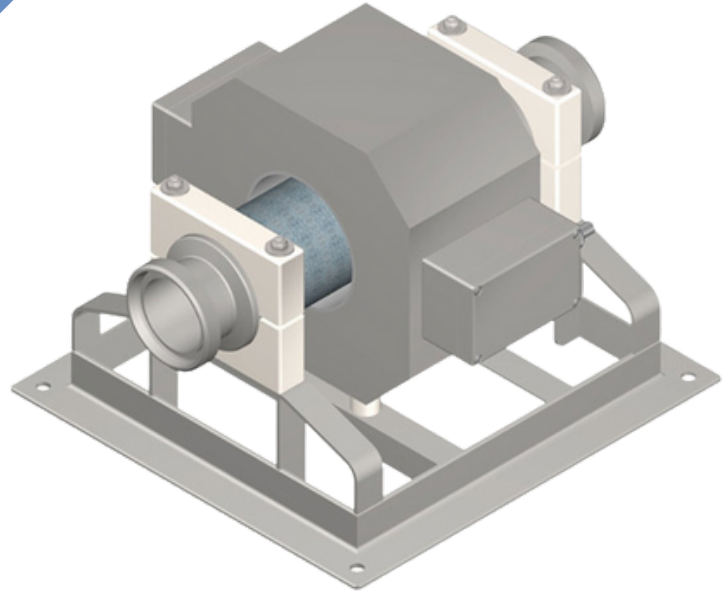


PIPELINE 05



METAL DETECTOR FOR INSTALLATION IN PUMP CONVEYING LINES FOR LIQUIDS



Reliable - In Process and Detection



Durable - In Technology and Performance



Conforming - In Design and Data management

Features

- ✓ Digital signal processing for best detection
- ✓ Reliable and safe metal detection technology
- ✓ Process- and condition monitoring
- ✓ Failsafe storage of all system parameters
- ✓ Robust construction for maximum lifetime
- ✓ Maintenance free, long-term operation
- ✓ Versions for various areas of use
- ✓ Password protected user management
- ✓ Hygienic Design without dead spots



(559) 862-1400



admin@pegasusind.com



Fresno | San Diego | Valencia CA

www.pegasusind.com

